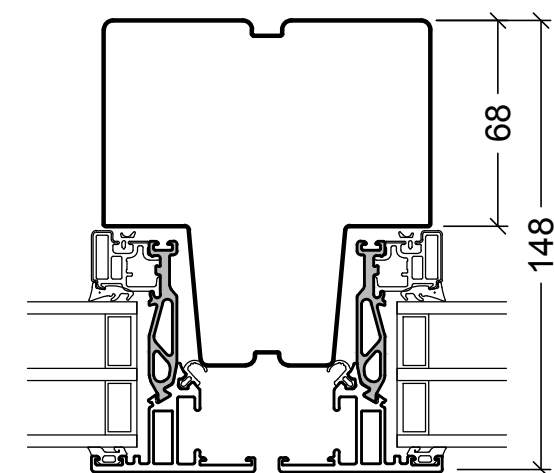
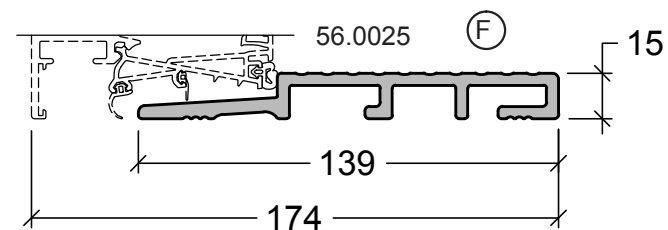


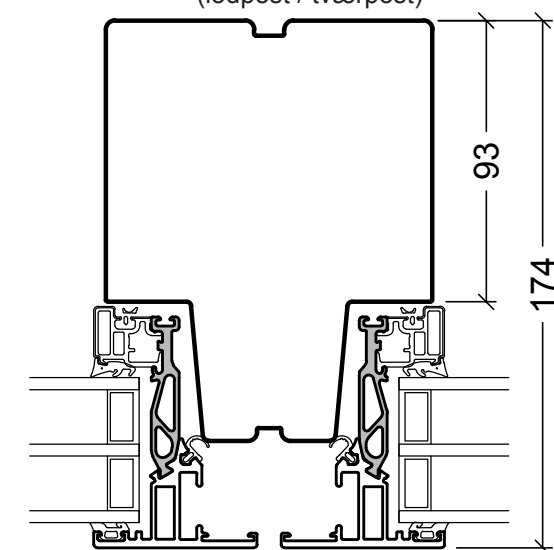
Low threshold for 114mm frame  
(Lav bundstykke til 114mm karm)



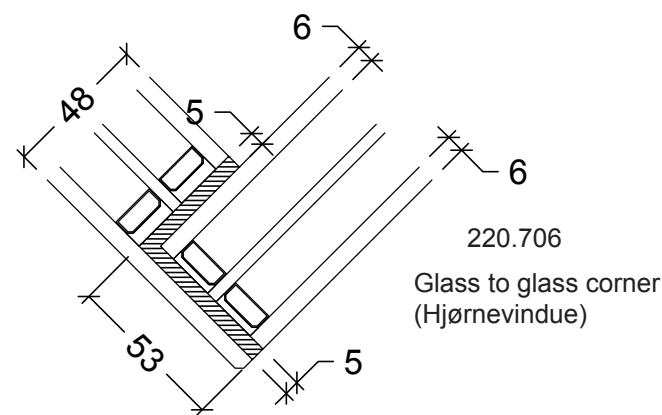
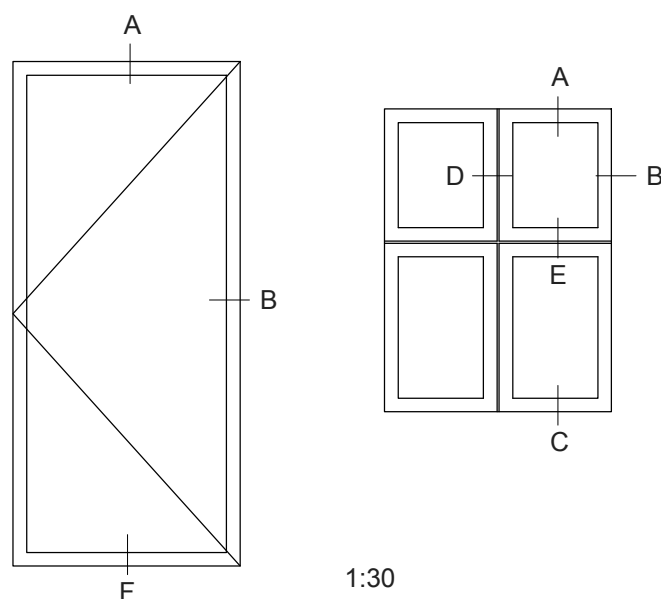
D 68mm mullion / transom  
(lodpost / tværpost)



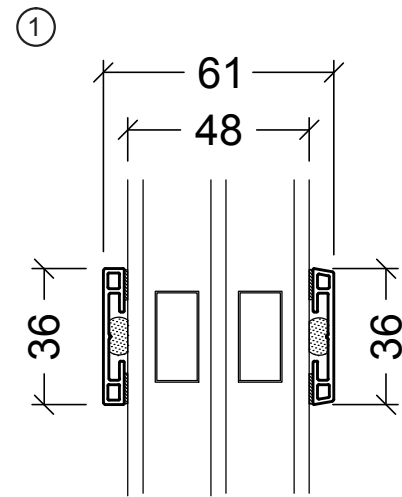
Low threshold for 139mm frame  
(Lav bundstykke til 139mm karm)



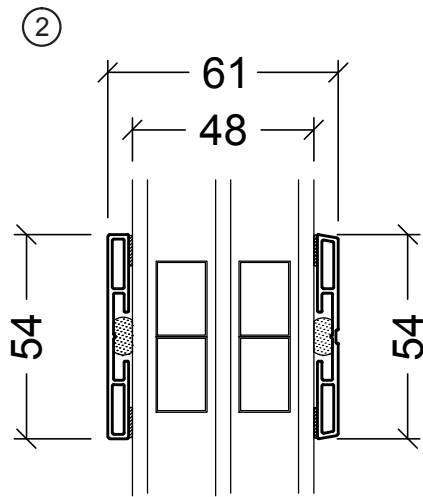
D 93mm mullion / transom  
(lodpost / tværpost)



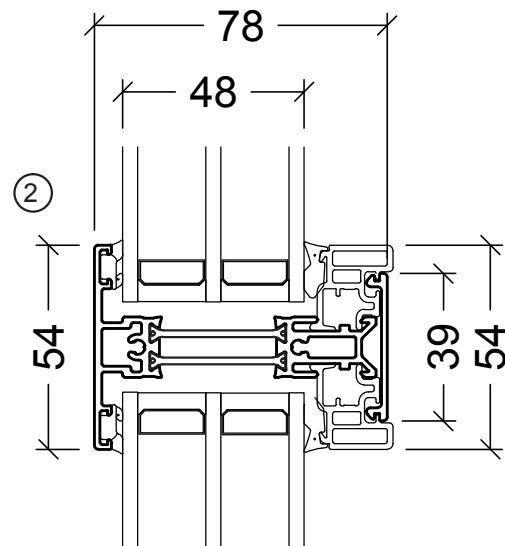
1:30



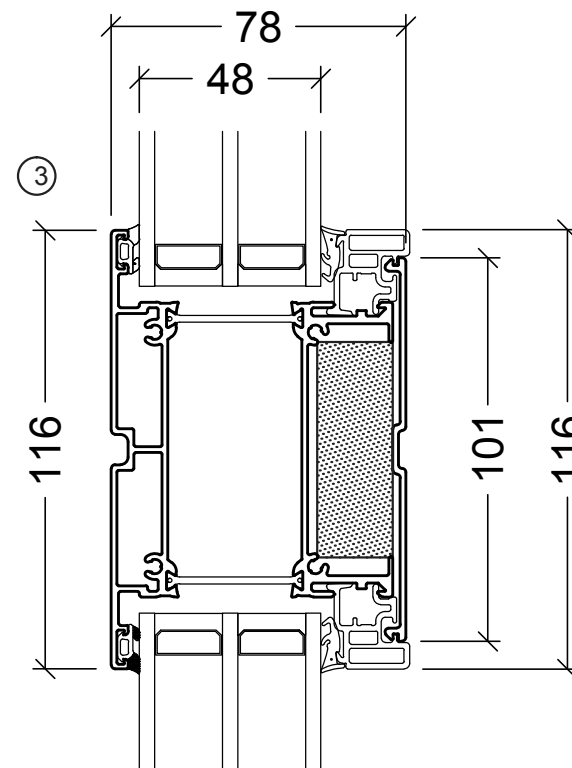
3014.1072  
36mm energy glazingbar (sprosse)



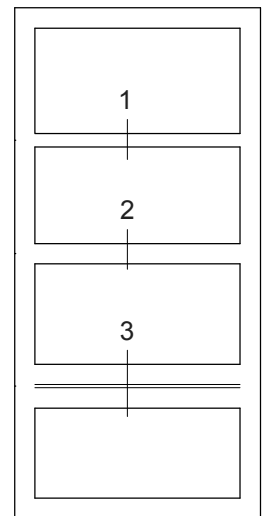
3014.0525  
54mm energy glazingbar (sprosse)



3014.1082  
54mm glazingbar (sprosse) for VELFAC Energy

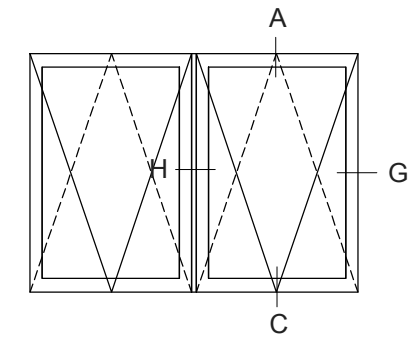
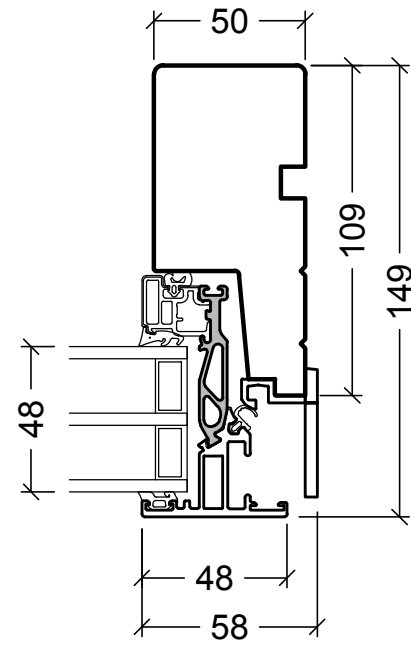


3014.1083  
116mm glazingbar (sprosse) for VELFAC Energy



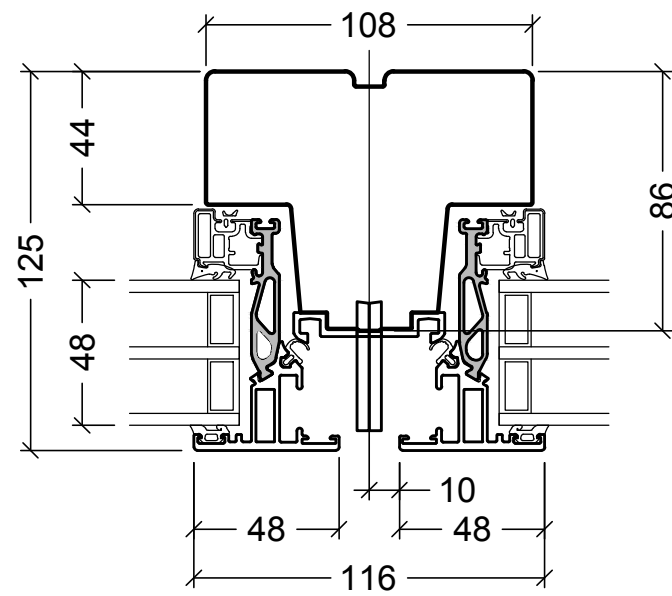
1:20

Ⓒ  
3014.1271

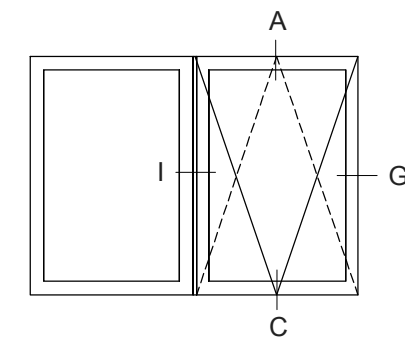
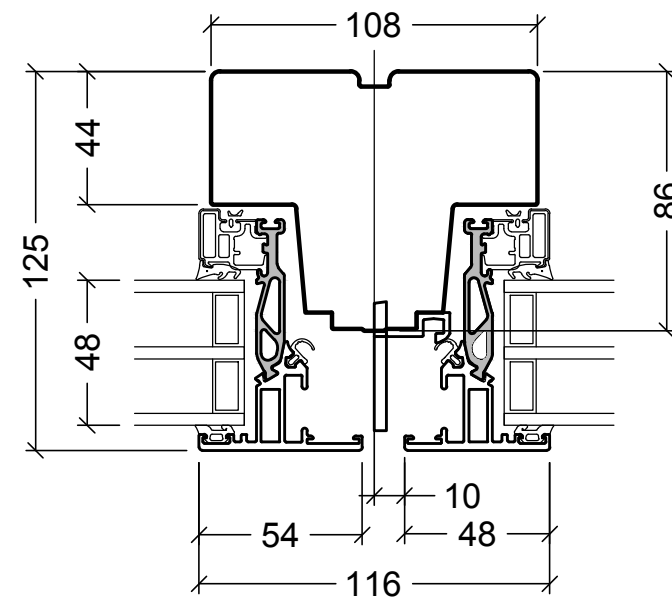


1:30

Ⓗ  
3014.1273



Ⓘ  
3014.1274



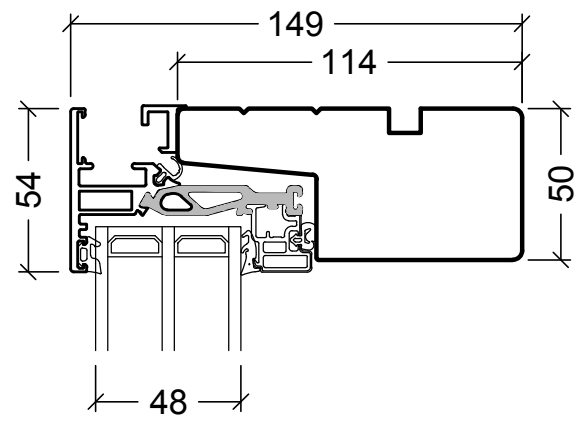
1:30

Ⓐ Ⓒ = as standard V200 Energy, see "Details"

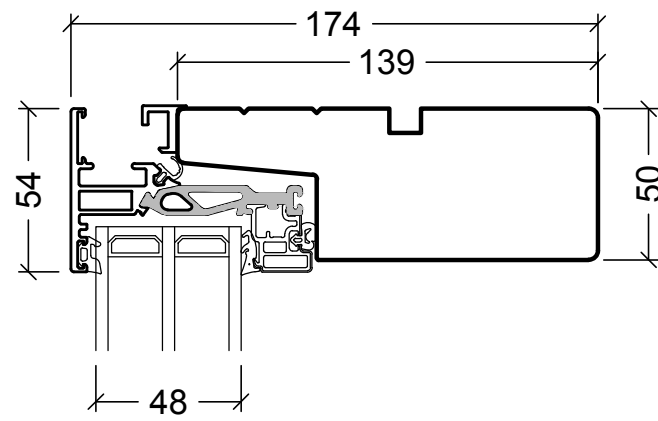


Overview VELFAC 228 ENERGY (1:2,5 / 1:30)  
Drawing No. 03.17 © 2013, 2017 Edition No. 05

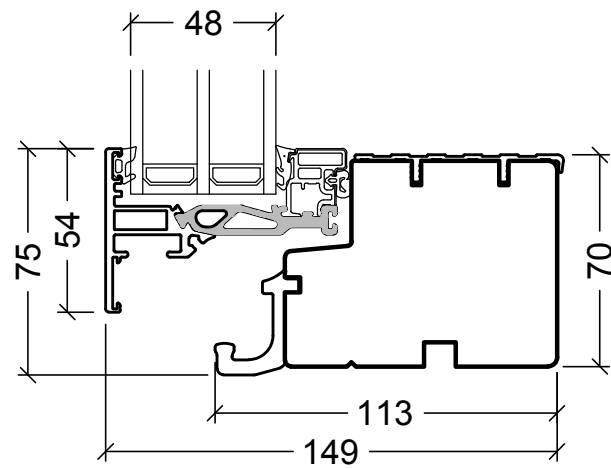
© VELFAC A/S All intellectual property rights and all rights in know-how in relation to this drawing may not be reproduced, stored, or transmitted in any form by any means (electronic, mechanical, photocopying, recording or otherwise) without the prior written consent of VELFAC A/S. It is to be used only for the purposes specified by VELFAC A/S and for no other purpose.



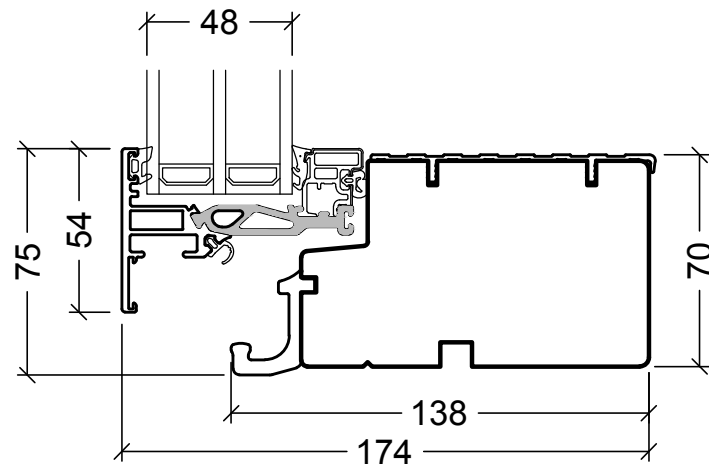
ⓐ 3014.1193  
114mm frame (karm)



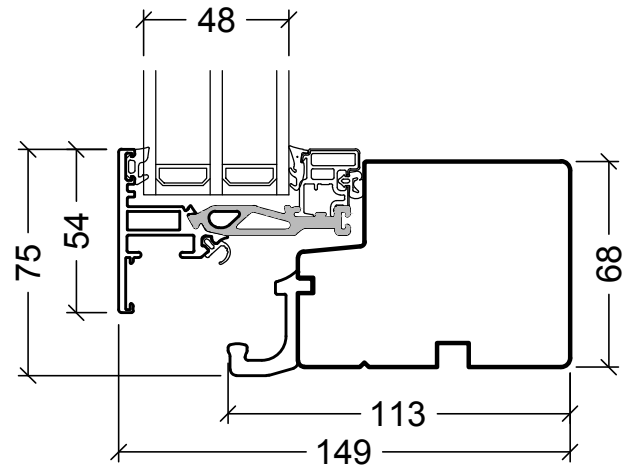
ⓐ 3014.1194  
139mm frame (karm)



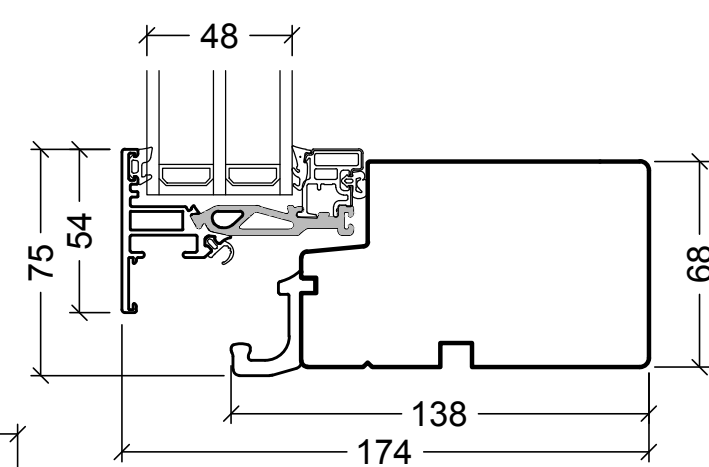
ⓑ 3014.1192  
114mm frame (karm)



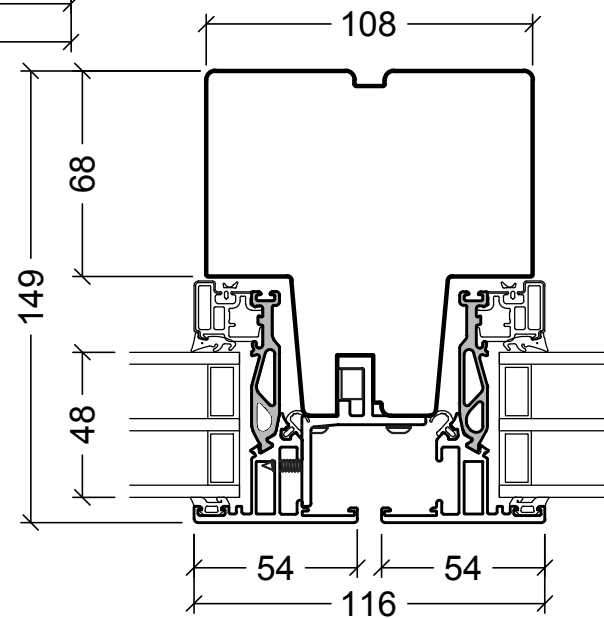
ⓑ 3014.1195  
139mm frame (karm)



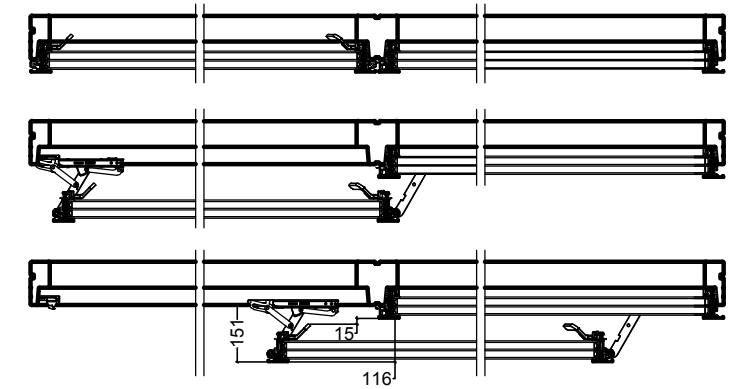
ⓒ 3014.1197  
114mm frame (karm)



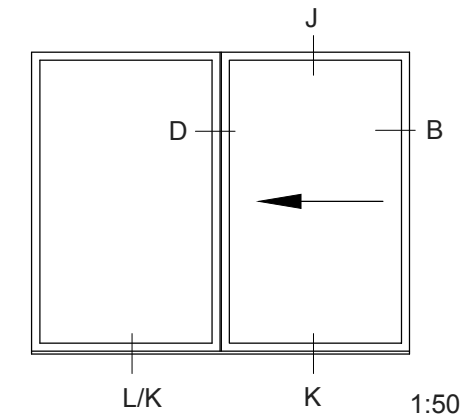
ⓒ 3014.1198  
139mm frame (karm)



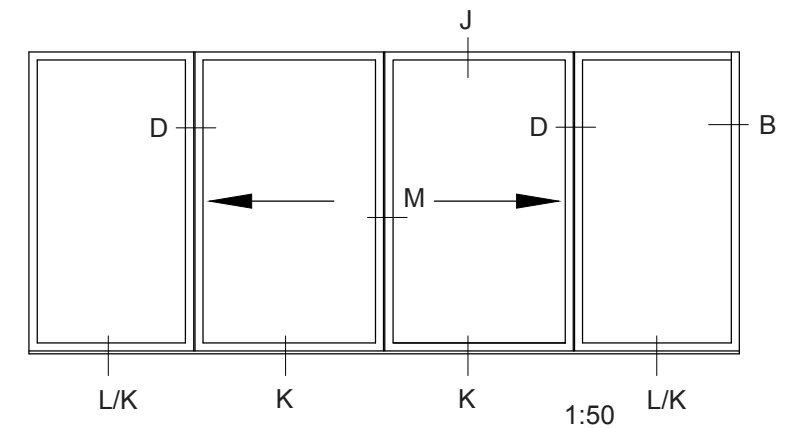
ⓓ 3014.1509  
French casement (2-fløjet skydedør)

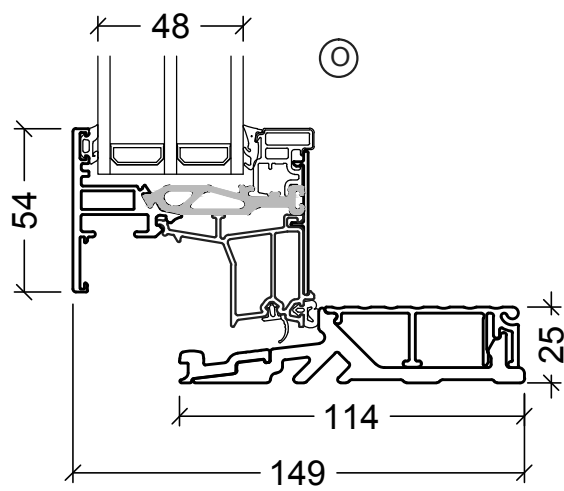
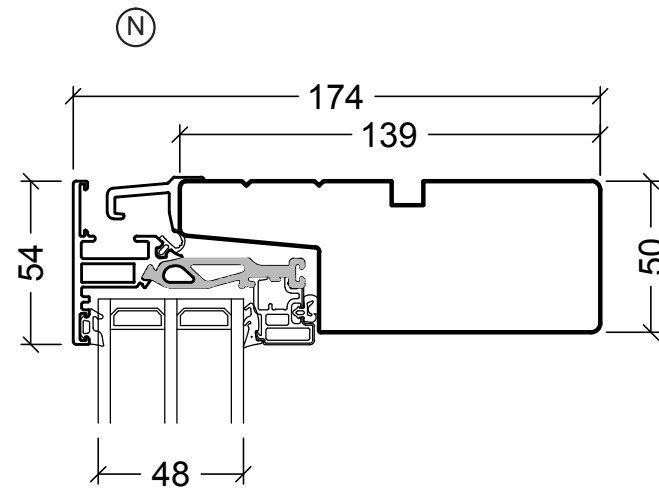
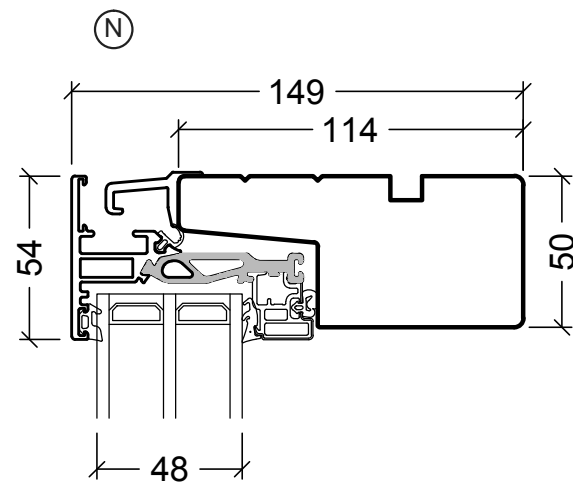


1:20

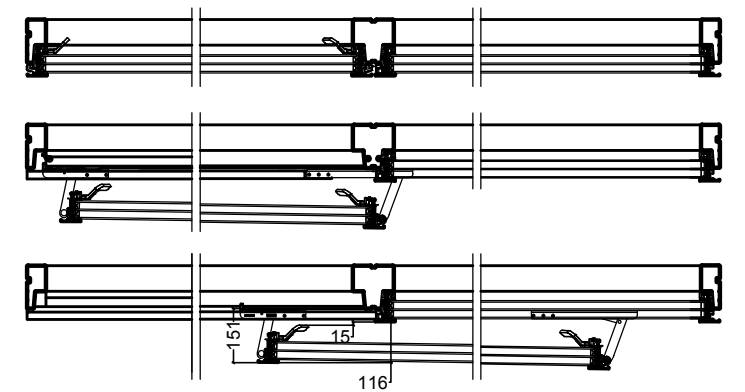


ⓔ ⓕ = as standard V200 Energy, see "Details"

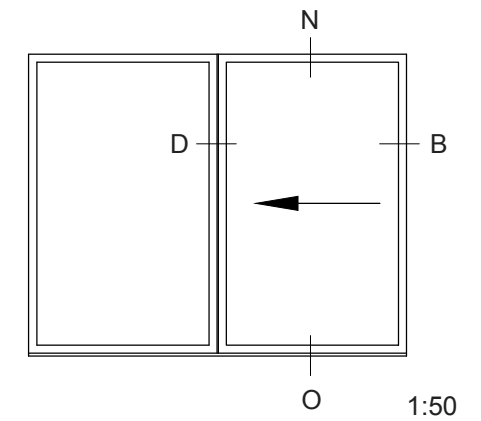




VELFAC 237 ENERGY, 25mm threshold

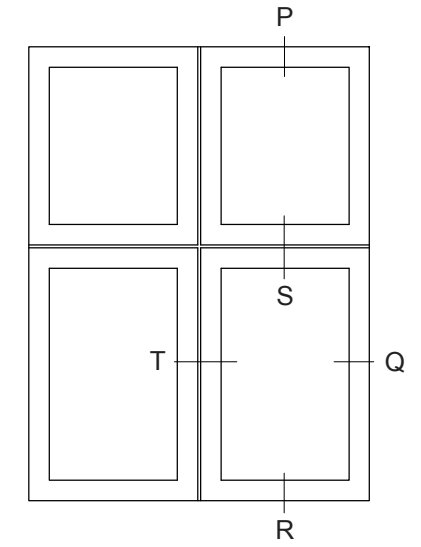
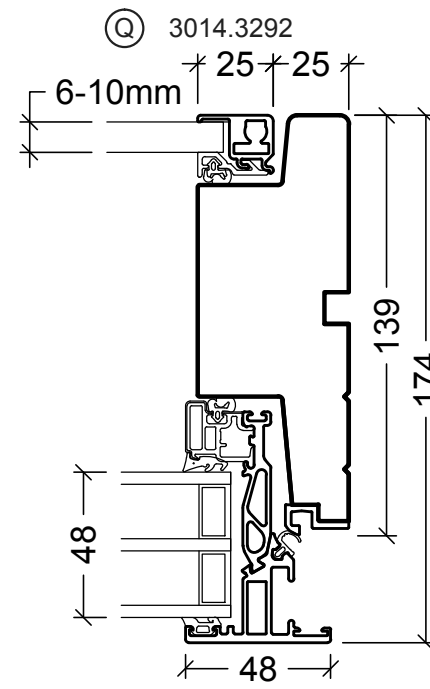
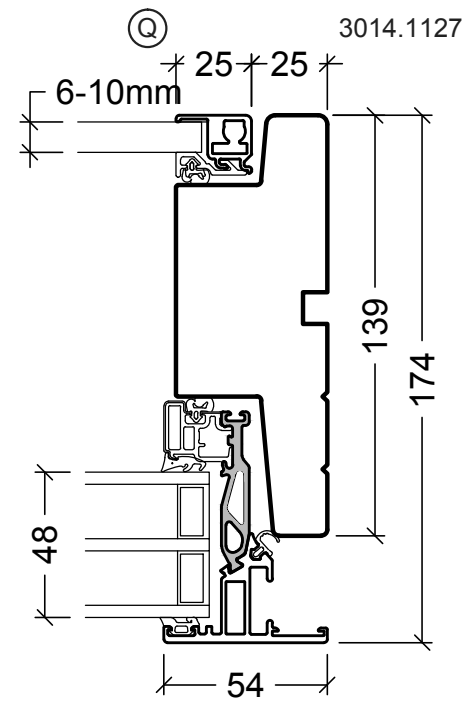
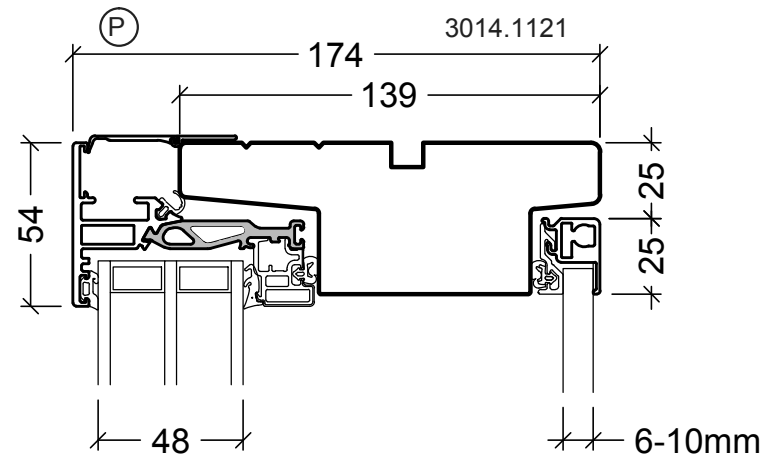


1:20

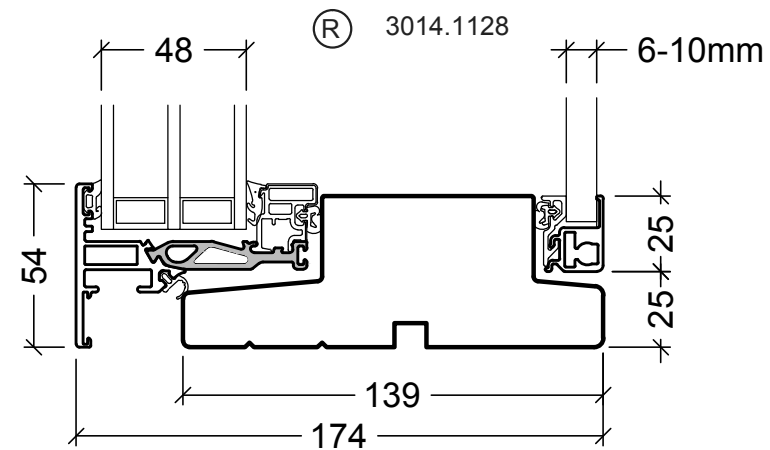


1:50

(B) (D) = as standard V200 Energy, see "Details"



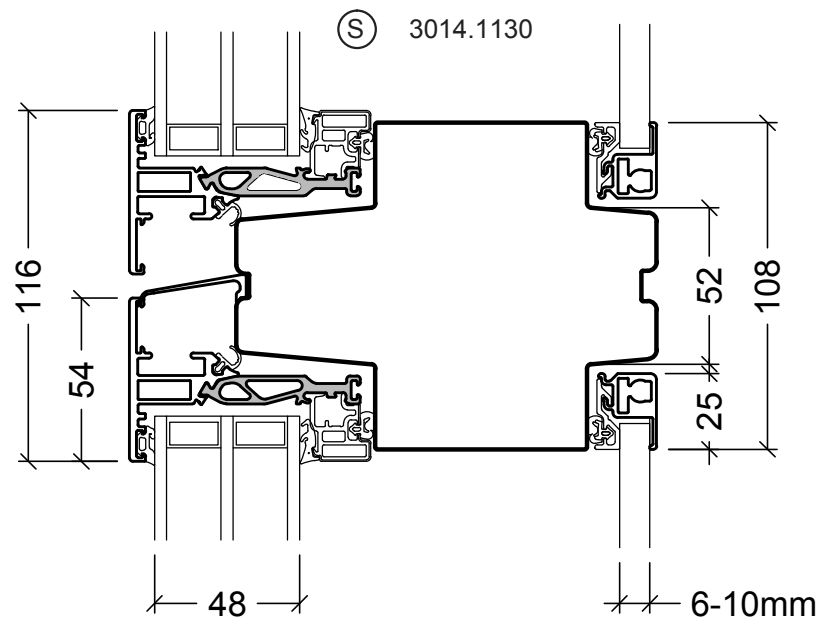
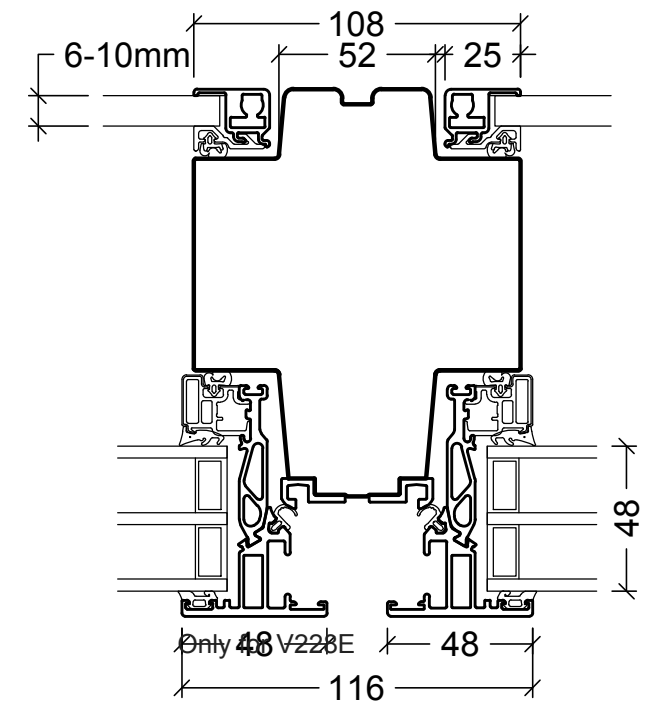
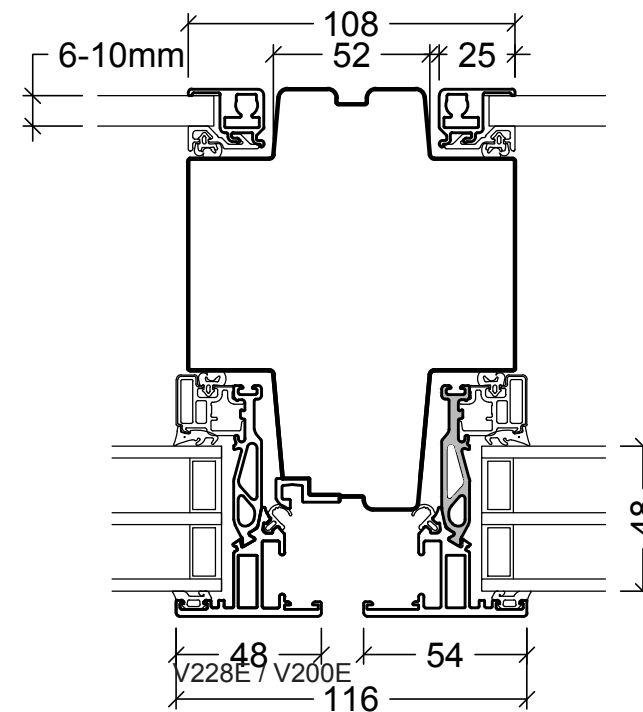
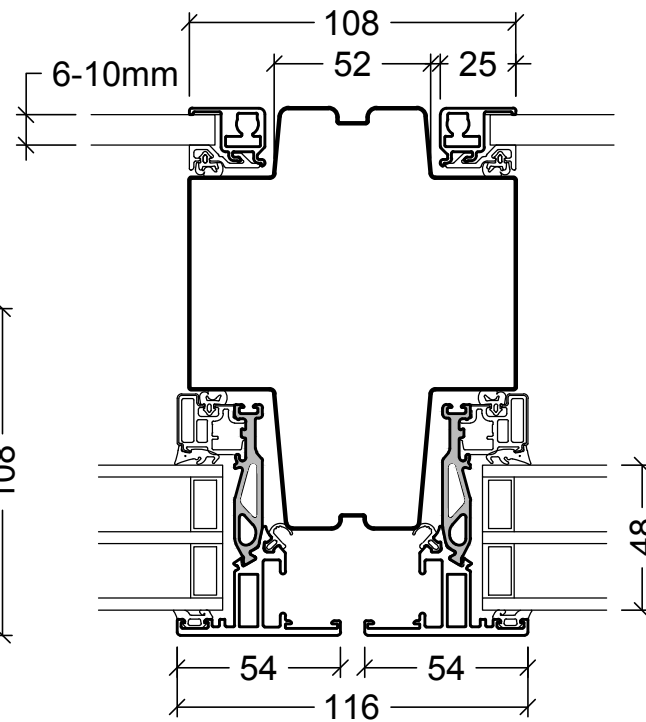
1:20

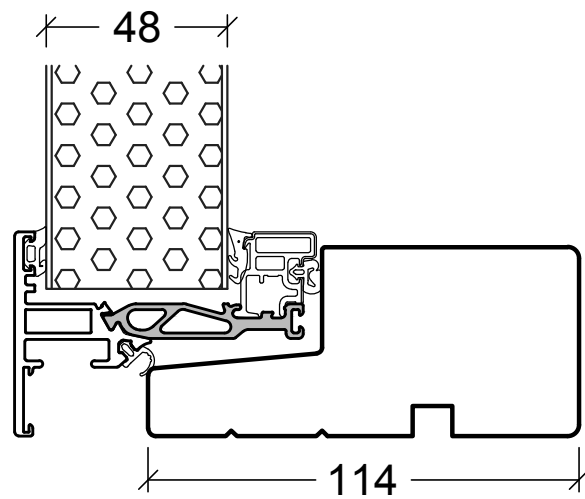


Ⓣ 3014.1122

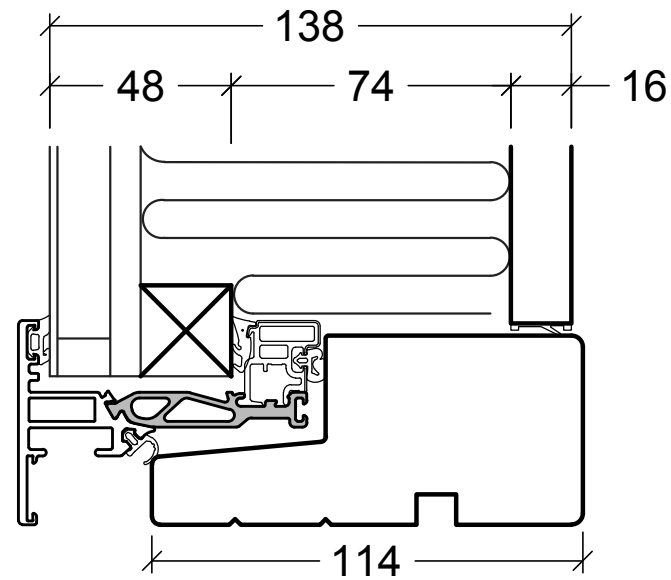
Ⓣ 3014.3294

Ⓣ 3014.3293

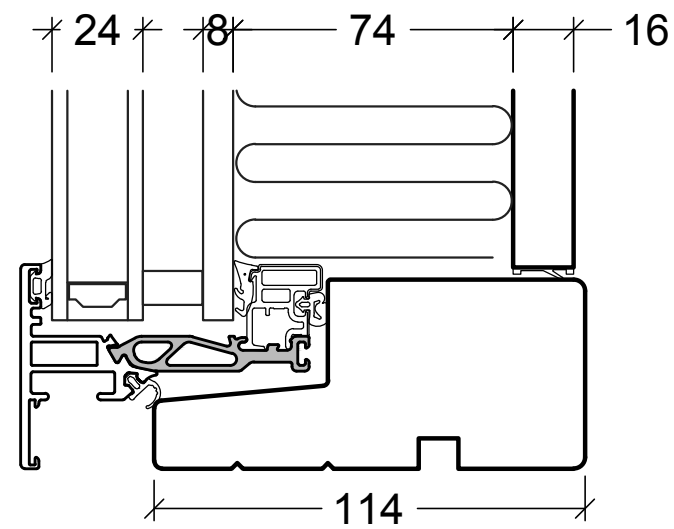




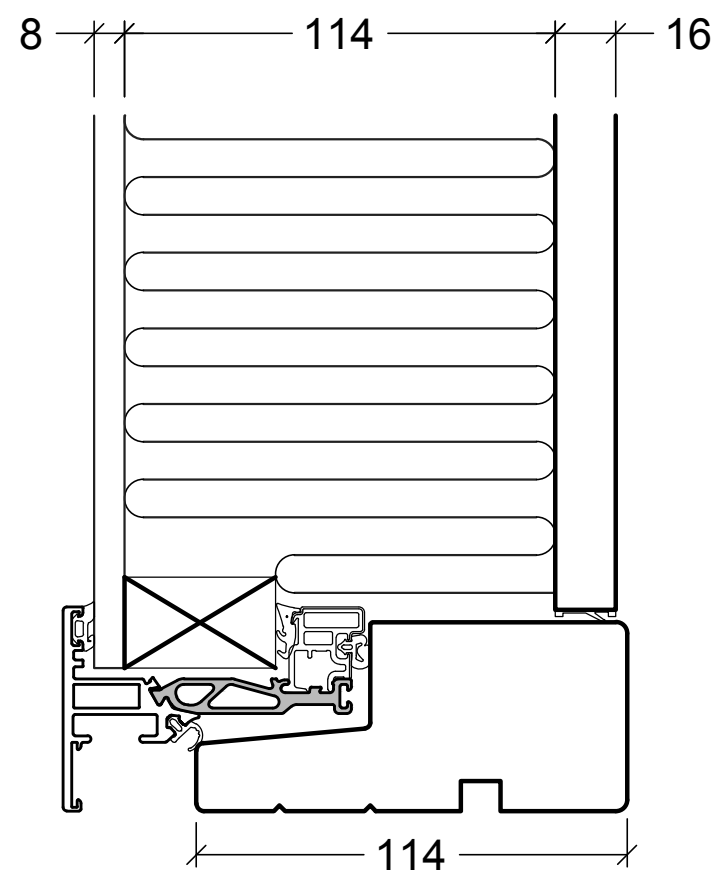
3014.1069  
Sandwich panel



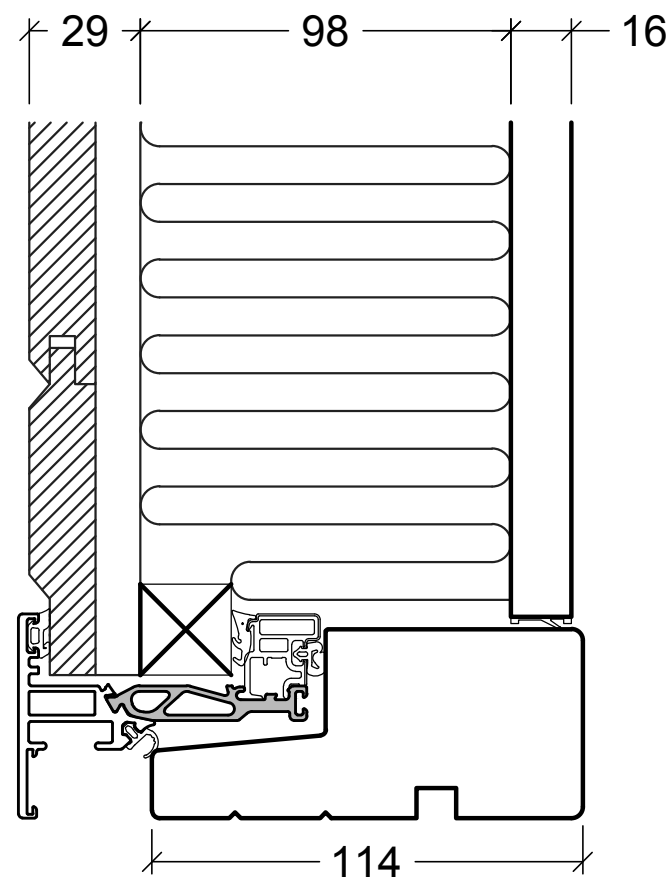
3014.3244  
Ventilated panel



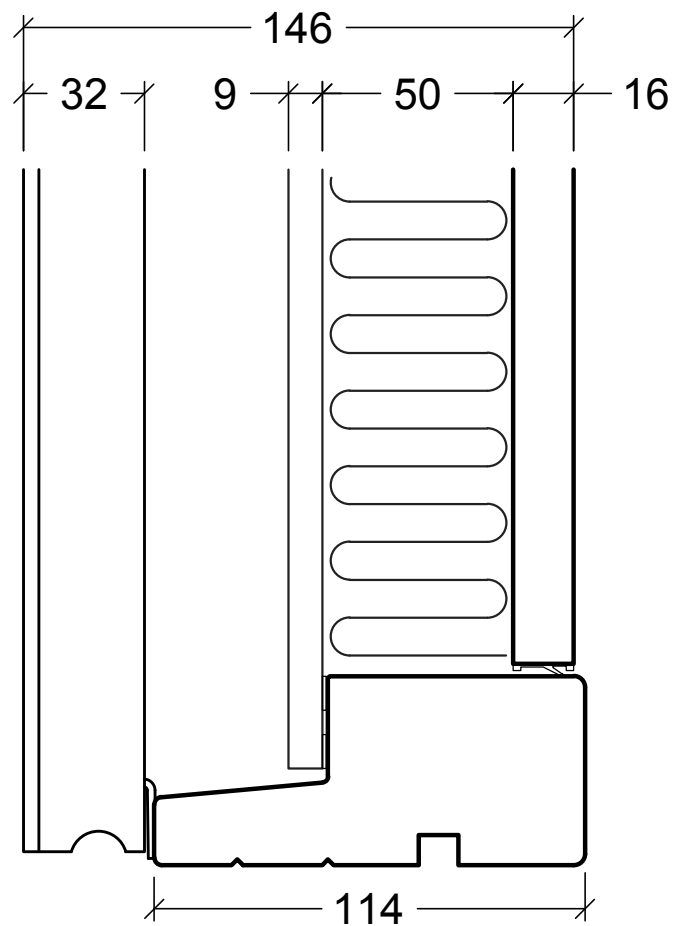
3014.1068  
Shadowbox



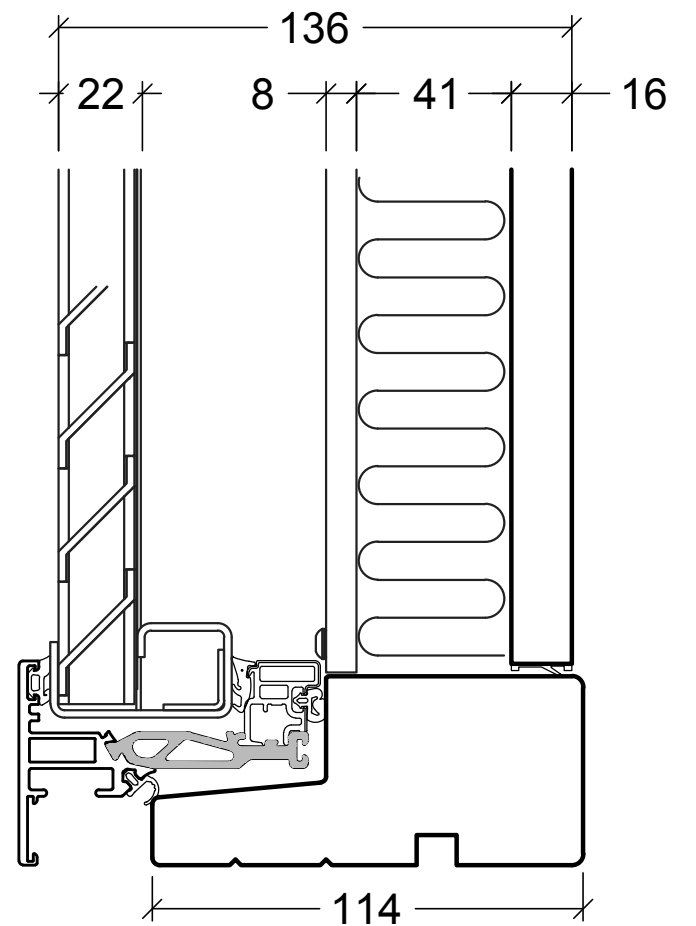
3014.1081  
Non ventilated panel



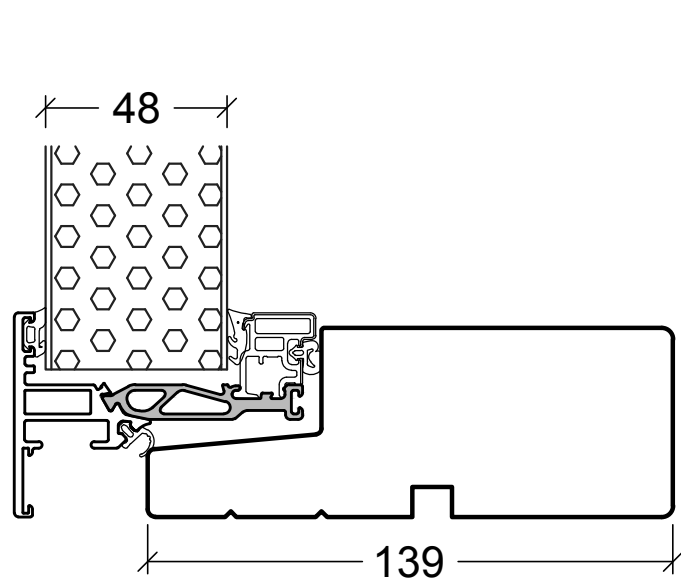
3014.1079  
Ceder panel



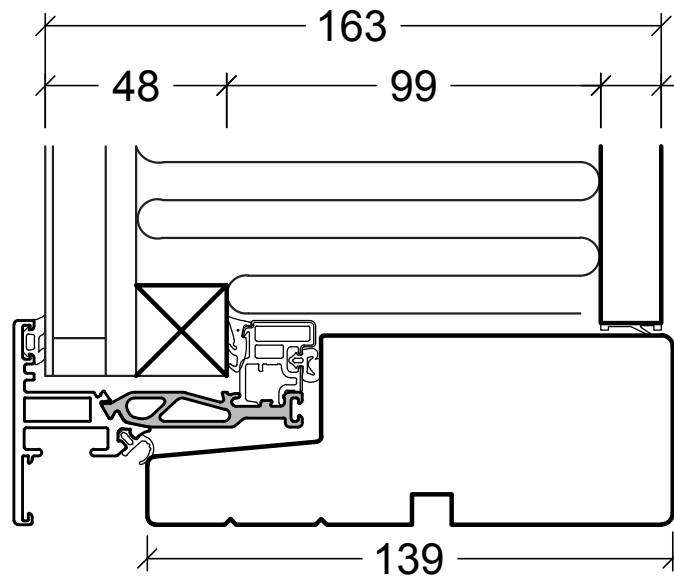
3014.1064  
Rainscreen panel (VELFAC 280)



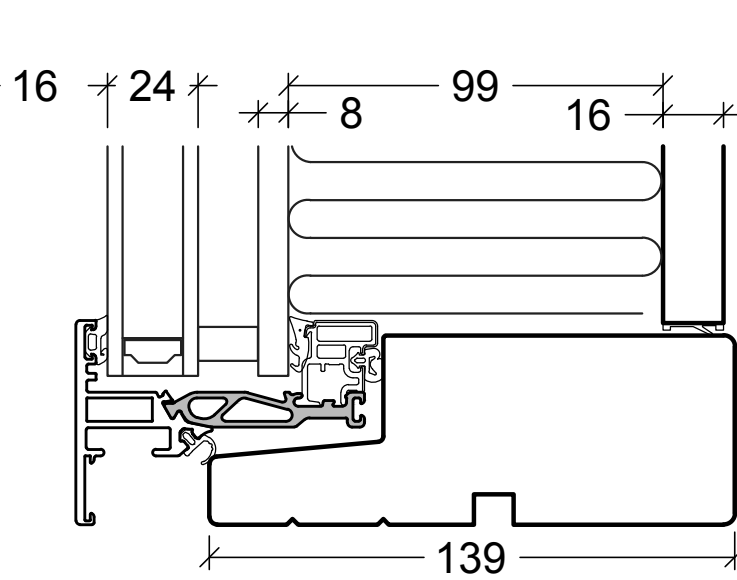
3014.1431  
Louvre panel with backboard



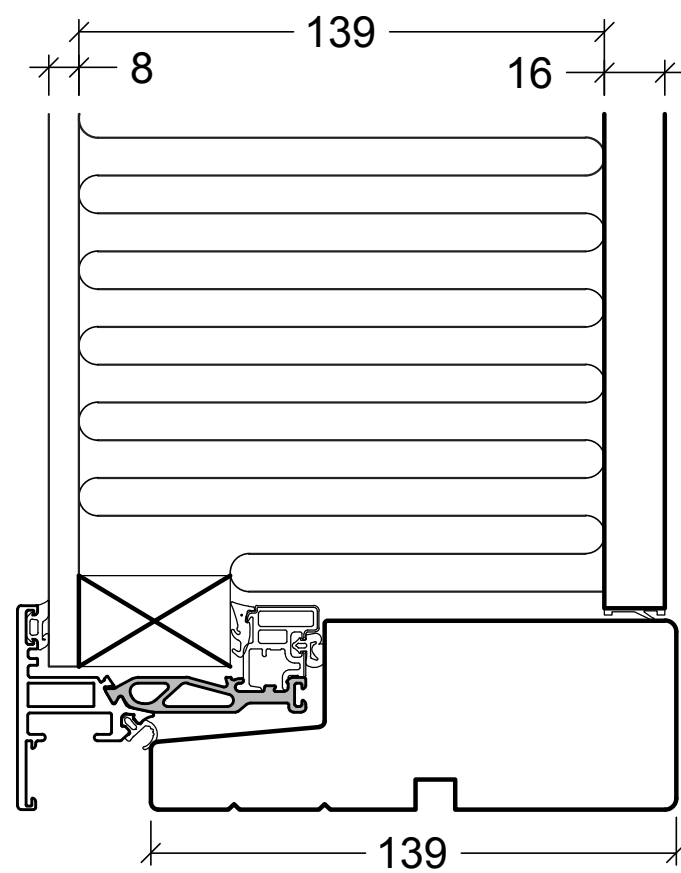
3014.1069  
Sandwich panel, 139 mm frame



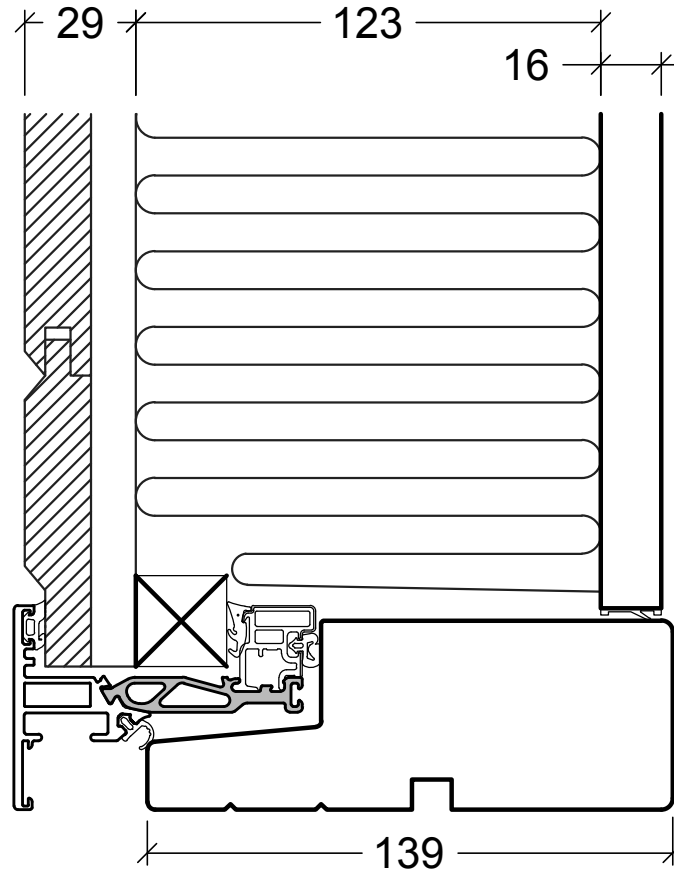
3014.3244  
Ventilated panel, 139 mm frame



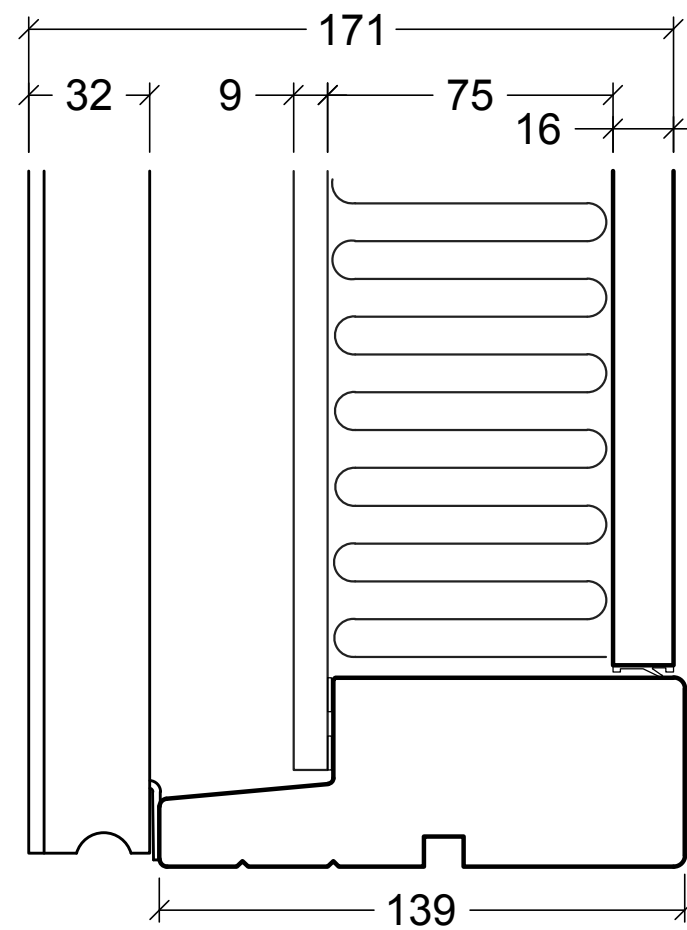
3014.1068  
Shadowbox, 139 mm frame



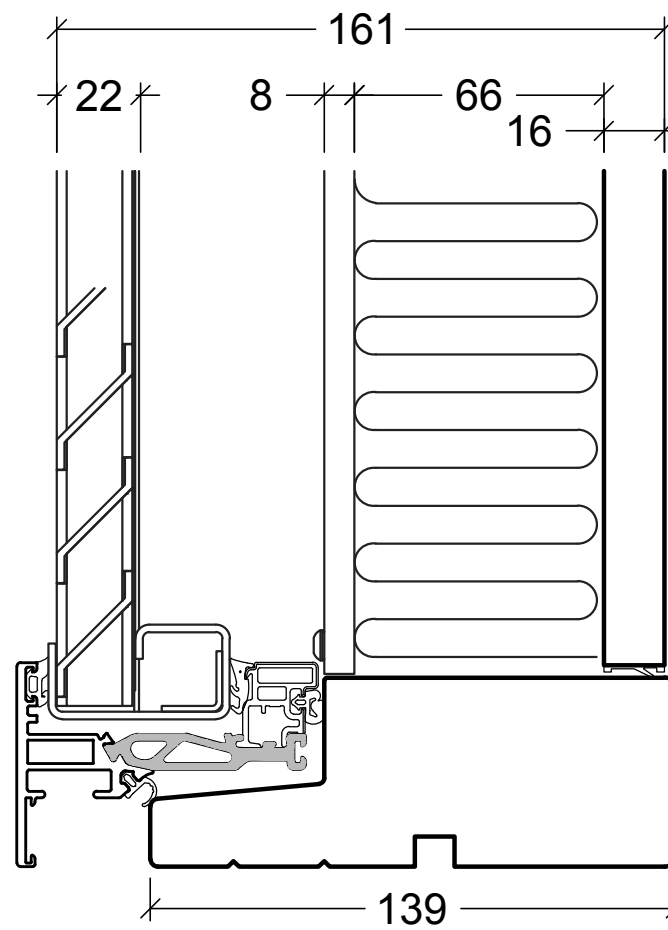
3014.1081  
Non ventilated panel, 139 mm frame



3014.1079  
Ceder panel, 139 mm frame

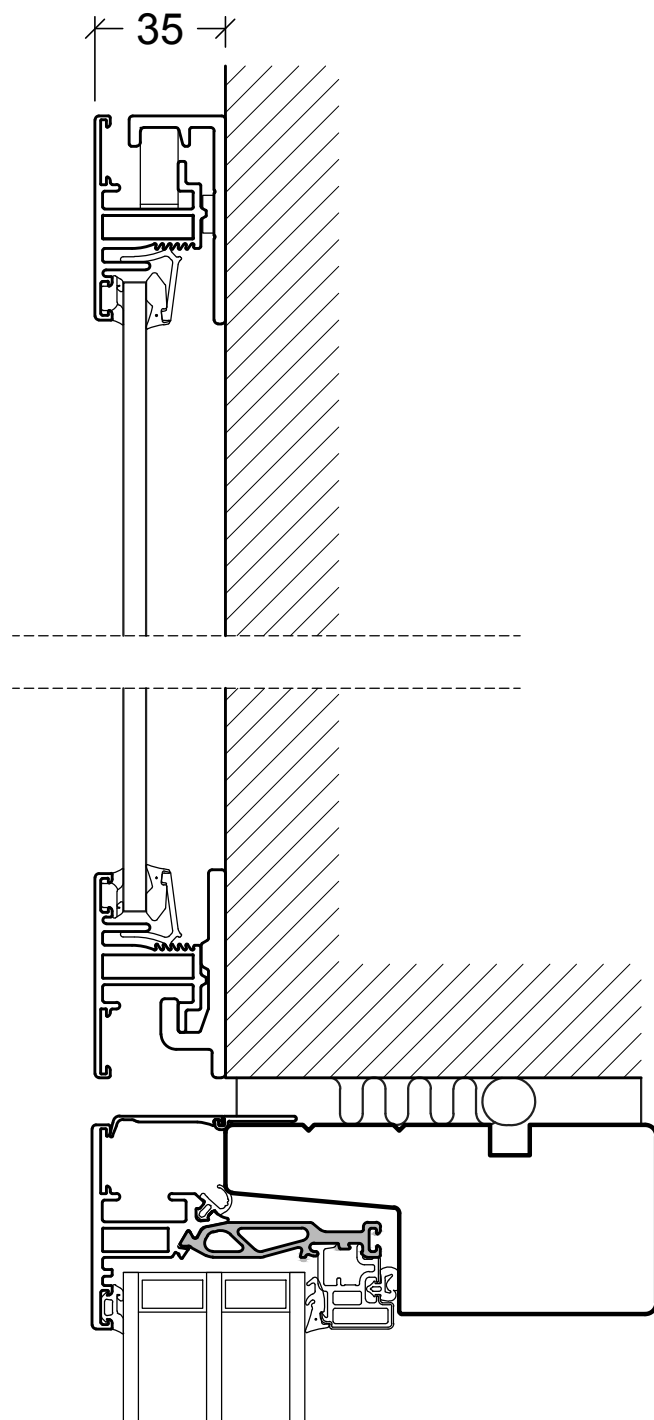


3014.1064  
Rainscreen panel (VELFAC 280), 139 mm frame

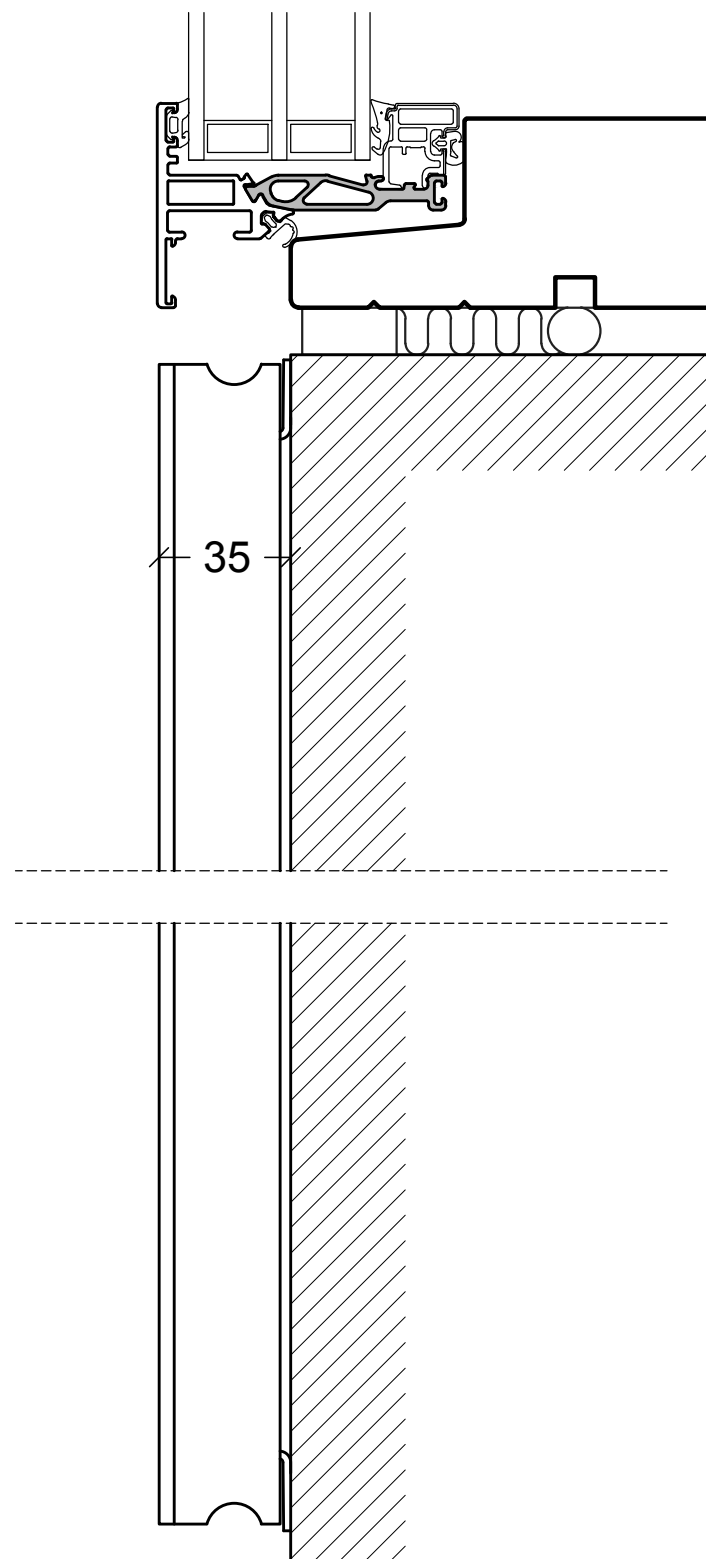


3014.1431  
Louvre panel with backboard, 139 mm frame





V290E Facade panel (Facaderammer)



V280E Rainscreen panel (Kassetter)